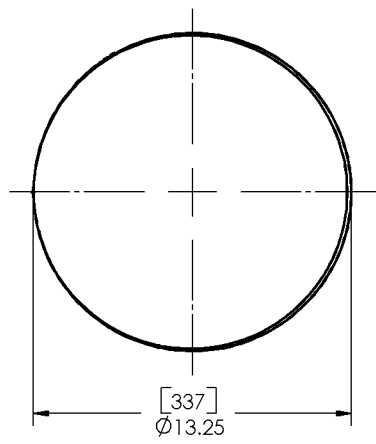
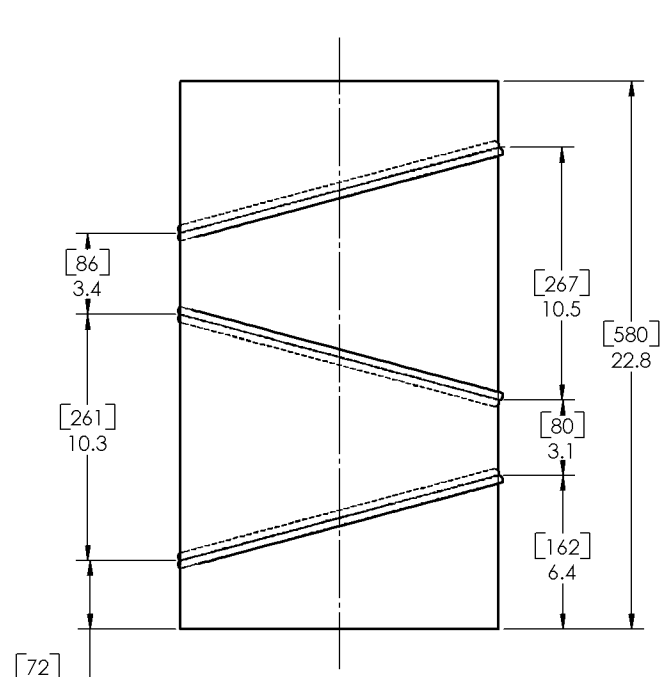
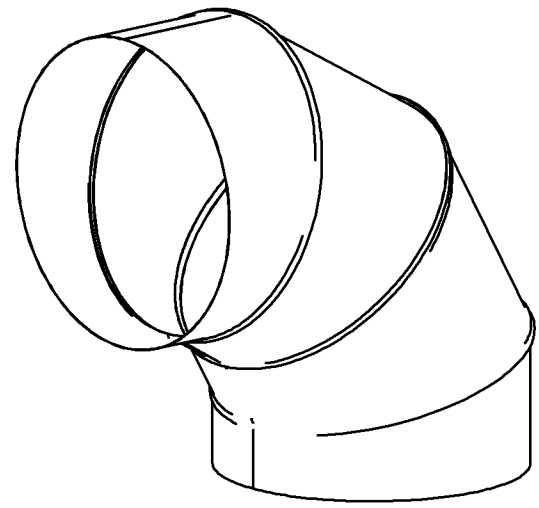


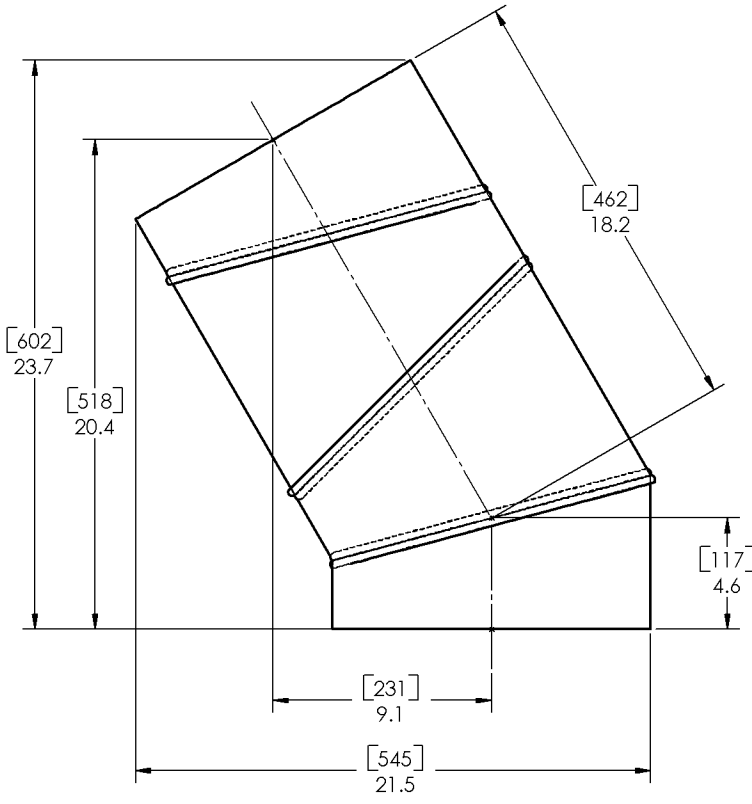
REVISIONS				
ECO	REV.	DESCRIPTION	DATE	INC.
	1		2/17/2006	



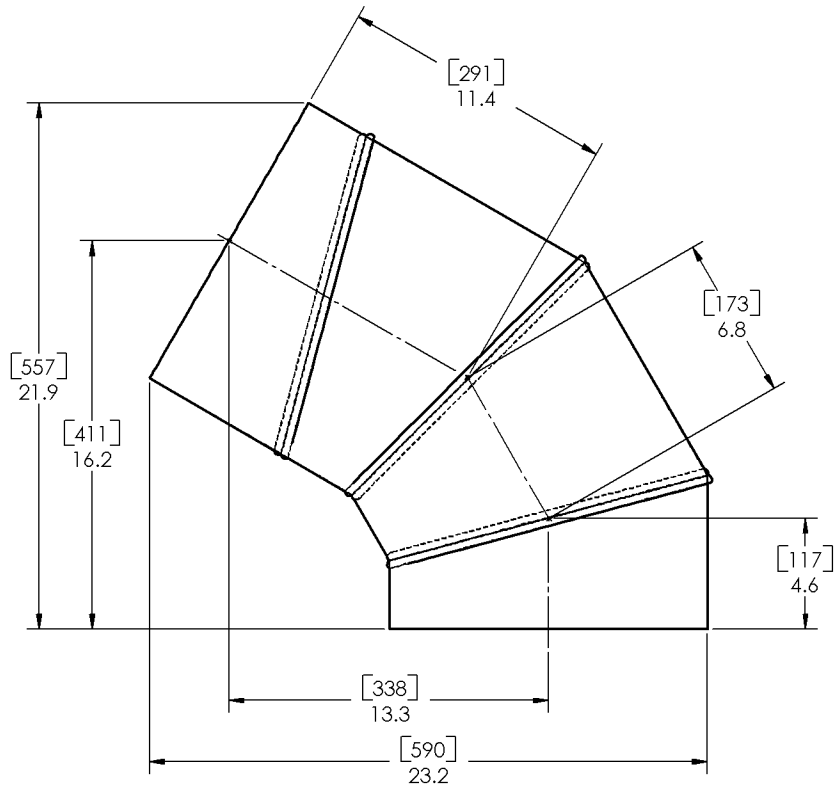
**TOP VIEW  
STRAIGHT  
SCALE 1:1**



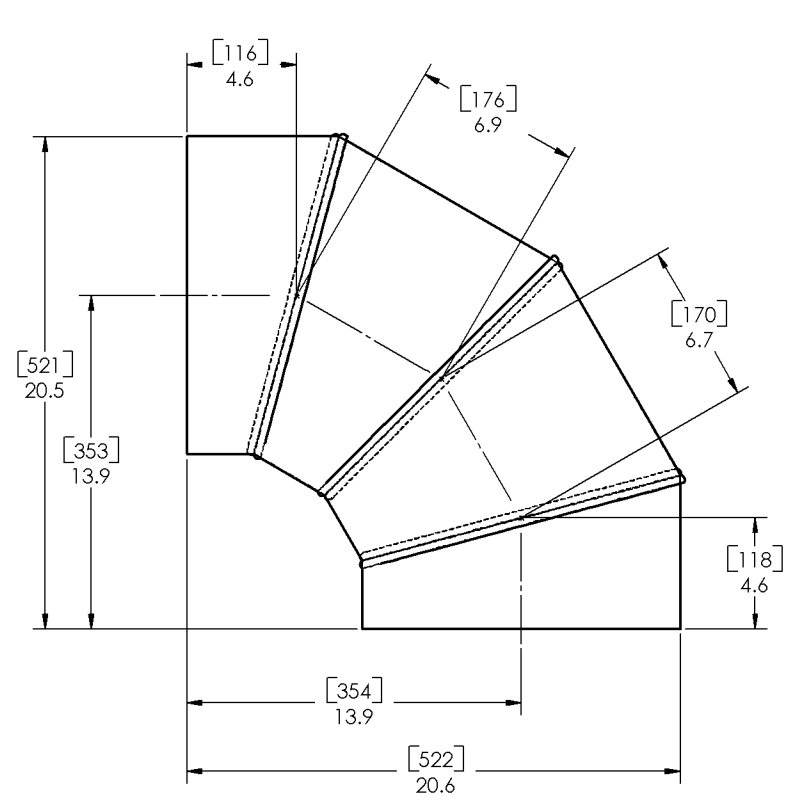
**STRAIGHT  
SCALE 1:1**



**30° ANGLE  
SCALE 1:1**



**60° ANGLE  
SCALE 1:1**



**90° ANGLE  
SCALE 1:1**

UNLESS OTHERWISE SPECIFIED:		<b>PROPRIETARY AND CONFIDENTIAL</b>		<p>2210 OAK RIDGE WAY VISTA, CALIFORNIA 92081-8341 PH (760) 587-4400</p>	
TOLERANCES: ANGULAR: ±0.5°		THE INFORMATION CONTAINED IN THIS DRAWING IS THE SOLE PROPERTY OF SOLATUBE. ANY REPRODUCTION IN PART OR AS A WHOLE WITHOUT THE WRITTEN PERMISSION OF SOLATUBE IS PROHIBITED.			
INCH X ± .2 XX ± .01 XXX ± .005	MILLIMETER X ± .25 XX ± .12 XXX ± .025	DRAWN BY STEVENS	DATE 2/17/06	TITLE: <b>0-90 DEGREE EXT. TUBE 14 INCH</b>	
FINISH ---		CHECKED BY ---	DATE ---	SIZE <b>D</b>	DWG. NO. <b>14-90DEG-EXT</b>
DO NOT SCALE DRAWING		APPROVED BY ---	DATE ---	REV <b>1</b>	SHEET 1 OF 1